




SAFETY

- Not suitable for commercial purposes.
- Do not allow children or pets near appliance when in use.
- Hose length must be more than 1.2m and gas cylinder at least 1 metre away. Suitable gas types include butane, propane or LPG.
- Never clean the appliance with unknown chemicals.
- Do not store gasoline or other flammable gases or liquids near or close to the appliance.
- Please use the cooker in an outdoor, well-ventilated area.
- Do not store gasoline or other flammable gases or liquids near or close to the appliance.
- Always ensure the appliance is on a flat, even surface. Do not place on grass.
- When not in use, clean the appliance thoroughly and pack away carefully.
- Avoid placing the appliance in too much sun when in use.
- Take extra care when lighting the burners and oven to ensure it is lit and does not burn gas.
- Turn off gas when not in use.
- Do not touch appliance when in use or until fully cooled except handles.
- If transporting the item, ensure it is securely strapped down.
- If you smell gas when using the appliance, turn off immediately at cooker and gas valve.
- Do not use the appliance if any part is damaged.

- Never place cloth or plastic coverings over the appliance at any time.
- Avoid using meats with excess fat as these may catch fire.
- Never leave the appliance unattended when in use.
- When undergoing maintenance, please ensure original parts are used. Non-original parts could cause damage.

RATING INFORMATION

Model no	LWACC432				
Description	Portable Cooking Range				
Total heat input	5.3KW (384g/h)		 0359-14 0359CP1423		
Type of gas	Butane	Propane	LPG gas mixtures		
Gas pressure	28-30 mbar	37 mbar	30 mbar	50 mbar	37 mbar
Injector size:					
Left burner	0.77mm		0.77mm	0.67mm	0.77mm
Right burner	0.63mm		0.63mm	0.56mm	0.63mm
Oven burner	0.59mm		0.59mm	0.54mm	0.59mm
OUTDOOR USE ONLY					

Streetwize Accessories:
Unit 1, Royce Trading Estate, Ashburton Road West,
Trafford Park, Manchester M17 1RY

Sales enquiries: sales@streetwizeaccessories.com
Technical enquiries: support@streetwizeaccessories.com
Telephone: +44 (0)161 447 8597
www.streetwizeaccessories.com



LWACC432

Portable Cooking Range

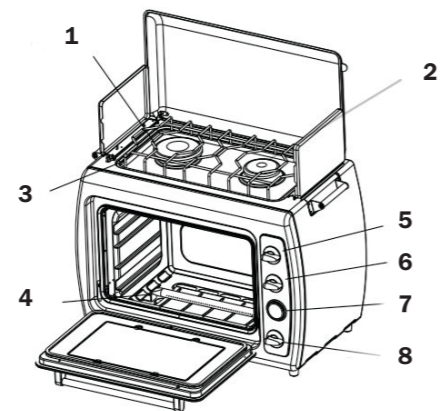


Please read and understand these instructions carefully before operating this appliance and retain for future reference. Familiarise yourself with the appliance before connecting it to its gas container. Improper installation, adjustment, alteration, service or maintenance can cause property damage, injury or death. Do not modify this appliance. This product can only be used outdoors. Warning: accessible parts may be very hot. Keep young children away at all times.

CONTENTS

Part description	3
Instructions	4
Suggested cooking times	5
Troubleshooting	5
Cleaning & maintenance	6
Specification	7
Safety	9
Rating information	11

PARTS DESCRIPTION



- | | |
|-------------------------|-------------------|
| 1. Left burner | 7. Thermometer |
| 2. Right burner | 8. Oven control |
| 3. Rack | 9. Handle |
| 4. Burner | 10. Cooking grill |
| 5. Left burner control | 11. Grease tray |
| 6. Right burner control | |

INSTRUCTIONS

- This appliance is for outdoor use ONLY.
- When removing the air hose after use, press the valve of burner for 3-5 seconds to let out any remaining air.
- After connecting the cylinder always double check that there is no leakage.
- When lighting the appliance for the first time turn oven to high temperature for 5 minutes. This will disinfect and remove any odours. However, there may be some excess smoke, this is normal.
- Ensure you thoroughly wash the tray and grill before use.
- The appliance can only be used with low pressure butane, propane or LPG with suitable qualified regulator and hose. The hose should be connected with the appliance and regulator by hose nut carefully.

Lighting the oven and burner.

- To light the oven or burners, push the relevant control knob in and turn 90° anticlockwise, this should ignite the oven/burner. Hold for 5 seconds then let go.
- If burner did not light, turn control to off position and repeat. If burner does not light after 3 attempts, wait 3 minutes and repeat.
- You can adjust the flame by simply turning the control knob between high and low positions.
- After each use, please ensure you turn off the gas cylinder.

SUGGESTED COOKING TIMES

Food item	Toast	Hot dog	Pizza	Shrimp	Fish	Duck	Eggplant	Chicken	Ribs	Sweet potato
Temp.	Low	High	Med-high	High	High	High	High	High	High	High
Time	3-5 min	10-12 min	20-25 min	10-15 min	13-15 min	30-35 min	25-30 min	18-20 min	18-20 min	30-35 min

TROUBLESHOOTING

Exception	Cause	Solution
Failure of ignition	The hose contains air	Light one of the upper burners and use this to light oven or use ignition lighter.
Failure of ignition	You are using non-standard regulator	You MUST use the fixed regulator with 28-30m bar.
Failure of ignition	The gas is impure	You can test the purity of the gas when it is lit. Blue in flame means gas is pure, red in flame means it is impure.
Temperature rises slowly	Outdoors humidity/temperature are not consistent	Preheat oven to 200°C before cooking and ensure appliance is in a sheltered area.

- If there is a problem with your appliance, do NOT attempt to repair yourself. Always seek a professional to advise/repair.
- If the appliance should smoke/alight, turn off immediately at the control and gas valve (if it is safe to do so).
- If gas hose is damaged, do not use appliance until it has been replaced.
- Keep children and pets away.
- Never modify the device yourself or by another person - this could affect the appliance and cause serious injury. This will also invalidate the warranty.

CLEANING & MAINTENANCE

- Cleaning must be done when oven/burners have cooled completely.
- Never clean the surface with harsh detergents, volatile oil or acid-based solvent as these will damage the surface.
- Use a damp soft towel to clean the outer surface.
- To clean grease from surfaces and trays, use washing up liquid and warm water to scrub gently and towel dry to avoid rusting.
- Ensure you thoroughly wash the tray and grill before use.
- You may use a light scourer to clean the glass window.

SPECIFICATION

Item		
Left burner power/gas consumption	2.3kw	164g/h
Right burner power/gas consumption	1.5kw	110g/h
Oven burner power/gas consumption	1.5kw	110g/h
Dimensions (L x W x H)	52.5 x 35 x 49cm	
Weight	15kg	
Capacity	40 litres	