



SWCV8

12V Wet & Dry Car Vacuum Cleaner

Information for use _____



Thank you for purchasing this 12V Wet & Dry Car Vacuum Cleaner from Streetwize. The Vacuum Cleaner is powered from your vehicles 12V socket & designed for light cleaning of dust & dirt from inside your vehicle.

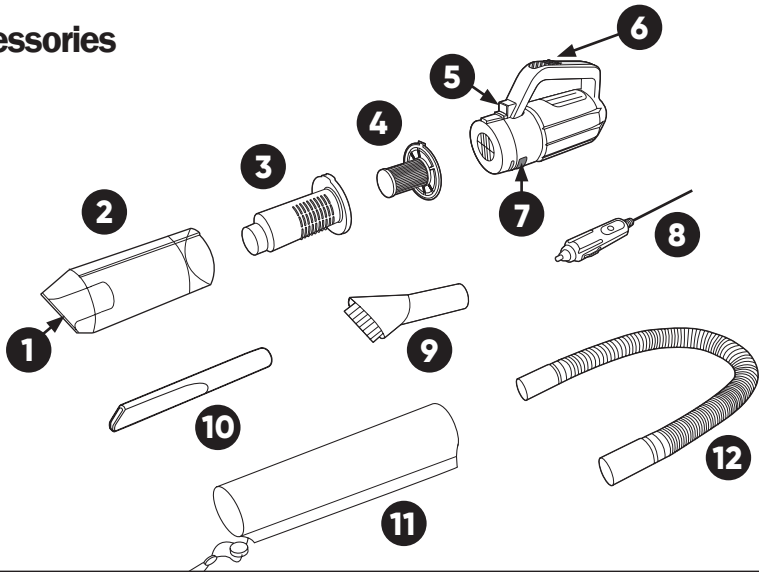
Please read through all the information in this document and keep it for future reference.

Health and Safety Guidelines

- Always unplug the unit when not in use, before cleaning, or when adding or removing parts. Please read the instructions carefully before using any appliance.
- Incorrect operation and improper use can damage the appliance and cause injury to the user.
- The appliance is intended for household use only. Commercial use invalidates the warranty, and the supplier cannot be held responsible for injury or damage caused when using the appliance for any other purpose than that intended.
- Check the power cord regularly for any damage. If the cord or plug sustains damage, it requires replacement.
- Do not use the appliance if it has been dropped or damaged in any way. If the unit is damaged, take it in for examination and/or repair by an authorised service agent.
- To reduce the risk of electric shock, do not immerse or expose the assembly, plug, or power cord to water or any other liquid.
- Never immerse the unit in water or any other liquid for cleaning purposes.
- Remove the plug from the socket by gripping the plug. Do not pull on the cord to disconnect the appliance from the socket
- Injury, fire, or electric shock could result from the use of accessory attachments that the manufacturer has not approved or supplied.
- Ensure that the cord is not in a position where it can be pulled inadvertently.
- This appliance is not suitable for outdoor use. Do not use this appliance for anything other than its intended purpose.
- Do NOT carry the unit by the power cord.
- Do not leave this appliance unattended during use. An appliance should never be left unattended when plugged in.
- The manufacturer does not accept responsibility for any damage or injury caused by improper or incorrect use or for repairs carried out by unauthorised personnel.
- In the event of technical problems, switch off the appliance and do not attempt to repair it yourself. Return the appliance to an authorised service facility for examination, adjustment, or repair.
- Always insist on the use of original spare parts. Failure to comply with the above-mentioned precautions and instructions will affect the safe operation of this machine.
- Take care when removing the plug from the 12V DC socket and DO NOT touch the metal contacts which may be hot.
- Do not vacuum any burning or smoking substances and potentially flammable materials or any hard objects such as building materials, glass and nails.
- Never use the appliance without the filters. Optimum dust collection will only be achieved with clean filters and an empty dust container.
- Do not open the housing under any circumstances. Do not insert fingers or foreign objects in any opening of the appliance and do not obstruct the air vents. The ventilation slots shall be kept clear for the unit to work properly and prevent dangerous overheating. Do not cover the appliance.
- The plug will become warm during use. Ensure that the vehicle socket is clean and clear of debris, and the electrical contact is good to avoid the plug/socket overheating.
- Unwind the 12V car connection cable completely before use. DO NOT use the appliance while the cable is coiled as this may cause overheating.
- Disconnect the unit while the vehicle's engine is not running to prevent the vehicle battery from becoming excessively drained or flat. When the vehicle is running, the alternator should provide enough power.
- CAUTION: Never hold the crevice nozzle close to the body or it may stick to the skin. If the nozzle does get stuck, switch off the appliance immediately.

Parts & Accessories

1. Suction Opening
2. Dust Container
3. Filter Protection
4. Filter
5. LED Light
6. ON/OFF
7. Release Button
8. 12V Connector
9. Brush
10. Crevice Nozzle
11. Storage Case
12. Extension Hose



Assembly

- NOTE: Filters must be clean before use.
- Fit the filters in the dust container. Pay attention to the markings on the components of the device.
- Fit the dust container onto the body of the device. Ensure the dust container is securely installed.

Fitting & Removing Accessories

- You can use the vacuum cleaner without an accessory or fit one of the nozzle accessories to the suction opening.
- CAUTION: Before changing accessories, always switch the vacuum cleaner off first.
- When fitting the accessory, insert it into the suction opening.
- To remove the accessory, simply pull it out of the suction opening.

Using The Device

1. Place the device on a stable, flat surface.
2. Ensure the power switch is in the OFF position.
3. Attach the desired nozzle to the front of the device or use it without a nozzle.
4. Fully unwind the 12V car connection cable.
5. Turn on your vehicle's ignition before plugging in the DC connection cable to prevent power surges.
6. Plug the 12V socket connector into your vehicle's 12V socket.
7. Slide the ON/OFF switch to the ON position. The white LED will illuminate.
8. To turn off the device, slide the power switch to the OFF position and unplug the 12V connection cable.

Maintenance

- To release heat and prevent damage to the device, keep the ventilation slots clear of any dust and dirt.
- Make sure the accessories are completely dry before storing them when not in use.
- Keep the accessories and connection cable in the provided storage case in a cool, dry location away from moisture and direct sunlight.

Cleaning the Protection Filter and Emptying Dust Container


- PLEASE NOTE: It is advisable to empty the dust container after each use.
- Press the release button to remove the dust container.
- Hold the dust container over a bin. Carefully remove the filter protection (3) with filter (4) and empty the dust container.
- If required, clean the dust container with a damp cloth. Let it dry completely before assembly.
- Tap the filters gently to remove any more dust.
- Occasionally wash the protection filter and filter using cold running water. Let them dry completely before fitting them back into the device.

Technical Support

If you require any technical support for your product within the warranty period, please contact us on support@streetwize.co.uk and provide the product name and supplier code (see Technical Specifications) along with the technical query and proof of purchase.

WEEE



The WEEE symbol  on this product means that this unit should be ethically dismantled or recycled to minimise environmental impact. Please check with your local authority for more information.

IMPORTANT: ADDITIONAL SAFETY INFORMATION

Warning: This product is not intended for use by children or individuals with reduced physical, sensory, or mental capabilities unless supervised by a responsible adult. Small parts may present a choking hazard. Always keep out of reach of children.

Technical Specifications

Product Name:	12V Wet & Dry Car Vacuum Cleaner
Supplier Code:	SWCV8
Power:	80W
Voltage/ Frequency:	12V DC
Vacuum Degree:	≈ 5000PA
Filter:	Double layer
Noise:	<75DB
Wire:	3M
Material:	Shell: ABS, Blade: Aluminium



Streetwize,
Suite GA, Marstrand House,
Marstrand Road, Sale M33 3AQ

For Product Support:
E: support@streetwize.co.uk
T: +44 (0)161 447 8597

EU Regd. Address:
Ace Supply Co (Europe) Ltd.,
Dublin 2, D02 A098, ROI

www.streetwize.co.uk