




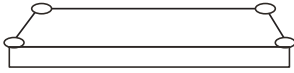
5-Tier Plastic Shelving Unit

Technical Specification

- Size: (H)171cm x (W)61cm x (D)31cm
- Maximum item weight: 6kg
- The total capacity of the whole shelving unit is 100kg.

Components supplied

1. Top Post Covers x4
2. Feet x4
3. Posts x16
4. Shelves x5

①		x4
②		x4
③		x16
④		x5



Streetwize: Suite GA, Marsland House,
Marsland Road, Sale M33 3AQ

www.streetwize.co.uk

For product support:

E: support@streetwize.co.uk

T: +44 (0)161 447 8597

5-Tier

Plastic Shelving Unit

Maintenance Advice

- Keep the weight per shelf evenly spread and under 20kg.
- It is not recommended for outdoor use.
- Keep this product as dry as possible.

Fitting Instructions

- Please check that you have all the components before assembling.
- If parts are missing, broken, damaged, or worn, stop using the product until all repairs are made using manufacturer authorised parts.
- To assemble, align the numbers on the diagram with the components listed above and fix the shelving unit into place.

