

LWA64

**streetwize**  
Leisure

# Outdoor Retreat

## Quick Erect Shelter

Information for use \_\_\_\_\_



### Intention For Use

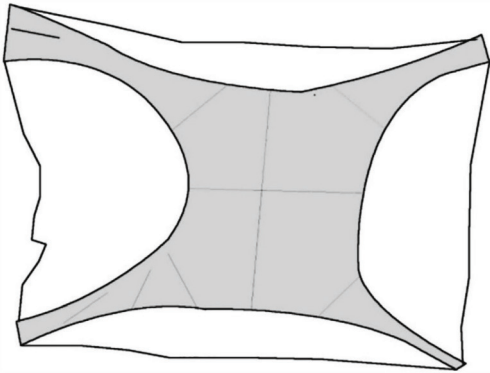
Thank you for purchasing your Outdoor Retreat from Streetwize Leisure.

Before inflating and using this Outdoor Retreat, we strongly advise that you read all the information and guidelines in this document.

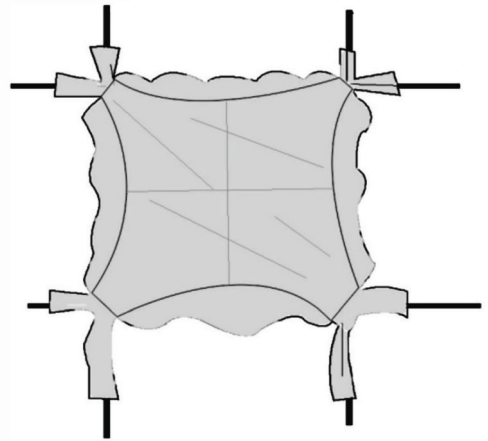
### Product Elements

1. Outdoor Retreat Cover
2. Long Fiberglass Pole x 4
3. Short Fiberglass Pole x 2
4. Ground Pegs x 12
5. Securing Ropes
6. Shade Covers x 2

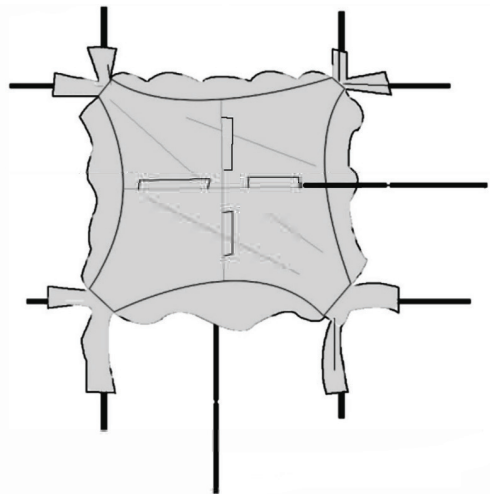
## Assembly Instructions



1. Ensure the ground is free of stones and other sharp objects. Unpack and familiarise yourself laying the Outdoor Retreat on the ground (Fig 1.).



2. Insert the long fiberglass poles into the corners of the Outdoor Retreat Cover (Fig 2.).



3. Insert the short fiberglass poles into the top of the Outdoor Retreat Cover (Fig 3.).



4. Peg out the the ends of the pole to form a rigid shape (Fig 4.).

## **Dismantling Procedure**

To dismantle the Outdoor Retreat, simply reverse the assembly procedure. Ensure this is fully dried before carefully placing it back into the Outdoor Retreat carry bag.

## **General Recommendations & Usage**

- We advise that you fully familiarise with the Outdoor Retreat before you go on your first trip and further recommend doing a test set-up beforehand.
- Set-up the Outdoor Retreat on a clean and even surface. Remove any stones, branches or any other objects that could damage your Outdoor Retreat. Also, take note of the direction and strength of the wind.
- Always try to set-up your Outdoor Retreat in a wind-protected area.
- Avoid setting up your Outdoor Retreat under any trees. This is because debris and sap from trees can leave a mark/stain that is difficult to clean off.
- This Outdoor Retreat is not designed for permanent pitching.
- This tent is designed for private and personal use only.

## **Care & Maintenance**

### ***Storage and Cleaning***

Never place your Outdoor Retreat into the carry bag when it has not fully dried. This will lead to moisture build up, as well as the build-up of mold and mildew. Please allow it to fully dry out before placing it inside the carry bag.

For cleaning this Outdoor Retreat, we recommend that you use a tent cleaner. You can also use water and a soft cleaning cloth. For soil and dirt marks, allow to dry and brush off with a soft brush before cleaning.

### ***Fire and Ventilation Warning***

- Never place hot appliances near the walls or roof of this Outdoor Retreat.
- Always keep exits clear.
- Please avoid cooking or using gas/combustible appliances inside the Outdoor Retreat.
- Ensure the Outdoor Retreat is well ventilated at all times to avoid suffocation.
- Make sure you are fully aware of your camping/caravan site fire safety and procedures.

## Technical Support

If you require any technical support for your product within the warranty period, please contact us on [support@streetwize.co.uk](mailto:support@streetwize.co.uk) and provide the product name and supplier code (see Technical Specifications) along with the technical query and proof of purchase.

## Technical Specification

Product name	Outdoor Retreat - Quick Erect Shelter
Product Code	LWA64
Material	190T Polyester, 1000mm PU Coated
Frame	9.5mm Diam. Fiberglass
Size	350 x 350 x 230cm

---

**Streetwize:** Suite GA, Marsland House,  
Marsland Road, Sale M33 3AQ

---

**For product support:**

**E:** [support@streetwize.co.uk](mailto:support@streetwize.co.uk)

**T:** +44 (0)161 447 8597

**EU Regd. Address:**

Ace Supply Co (Europe) Ltd,  
DO2 A098, Republic of Ireland

---

[www.streetwize.co.uk](http://www.streetwize.co.uk)